

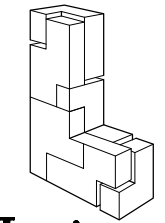
REV. B



CLIENT:
John F. Kennedy Space Center
KSC Visitor's Complex
Kennedy Space Center, FL 32899

DD PHASE
FOR DISCUSSION PURPOSES ONLY
NOT FOR CONSTRUCTION
10-JUNE-2009

NOTES:
-These drawings are issued for the purpose of communicating BRC-IA creative design intent. BRC-IA is not a licensed architectural or engineering firm and is relying on the client and their consultants for all elements to ensure personal and structural safety. BRC-IA assumes no responsibility for structural engineering, and safety or code compliances.
-These drawings are based on preliminary construction drawings provided by others. Architect and all trades must field verify all dimensions.



Lexington
12660 Branford Street
Los Angeles • CA 91331
818-768-5768
www.lex-usa.com

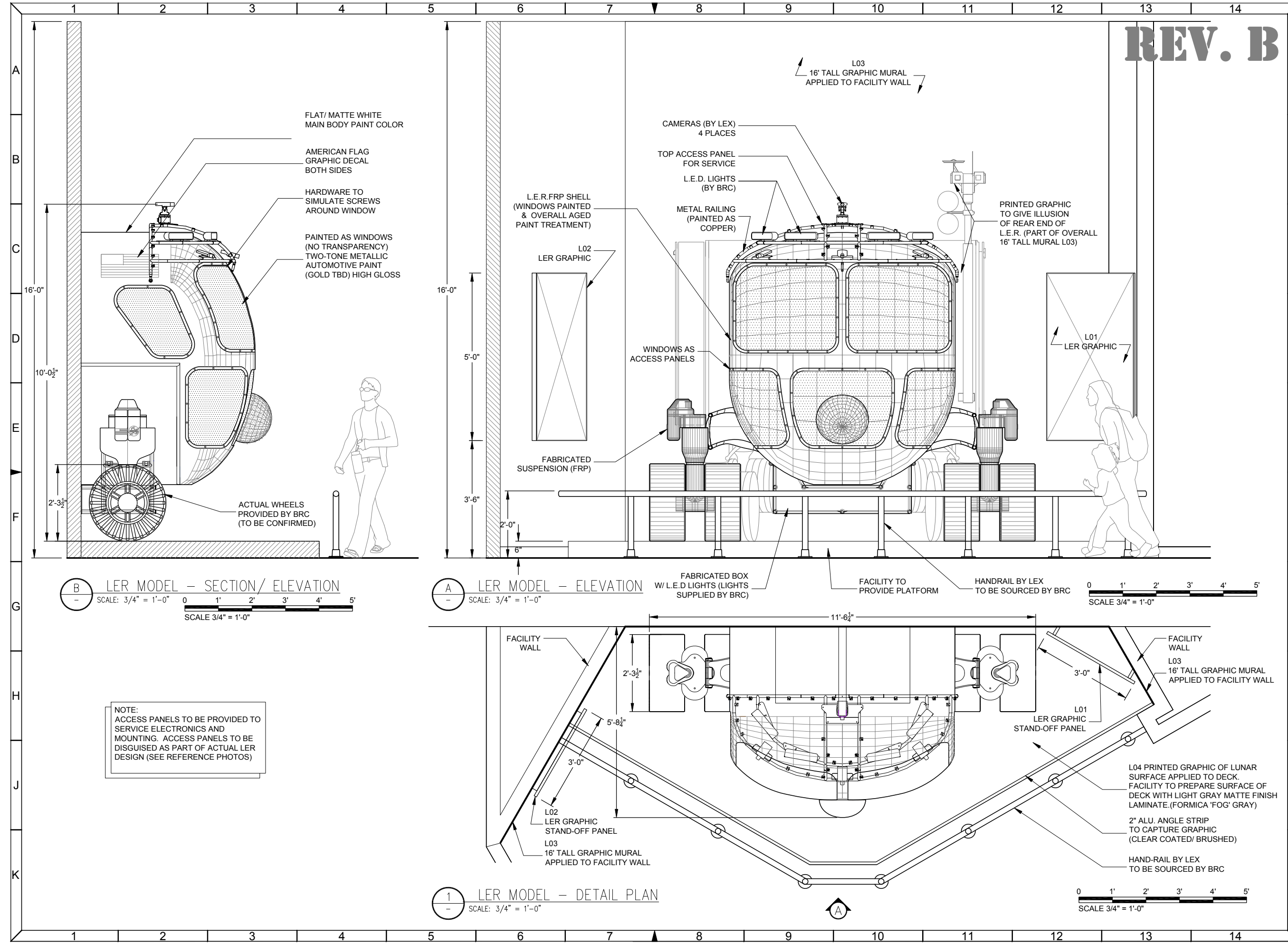
REV	DATE	DESCRIPTION
-	-	-
-	-	-
-	-	-
-	-	-
-	-	-

PHASE	VISION
CHECKED	-
DRAWN	CB
PROJECT NO.	0387
CAD FILE	620_CMT_C_LER.dwg
SCALE	AS NOTED
SAVE DATE	10-Jun-09 / 1:36 PM
PLOT DATE	10-Jun-09 / 1:41 PM
DRAWING TITLE	LER MODEL

FLOOR/SCENE	YOUR LIFE IN SPACE
BUILDING/ATTRACTION	CONSTELLATION MISSION TRACKING CENTER

BRC
2711 WINONA AVENUE
BURBANK, CA 91504
TEL: (818) 841-8084
FAX: (818) 841-4996

SHEET NO. **SS-620** REV.



NOTE:
ACCESS PANELS TO BE PROVIDED TO SERVICE ELECTRONICS AND MOUNTING. ACCESS PANELS TO BE DISGUISED AS PART OF ACTUAL LER DESIGN (SEE REFERENCE PHOTOS)

I:\3250 Correlation Adventure BRC\Design\DWGs (Vendors)\Lexington\620_CMT_C_LER.dwg, 6/10/2009 1:41:31 PM, cbaurley, 1:1

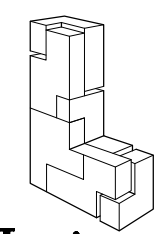
REV. B



CLIENT:
John F. Kennedy Space Center
KSC Visitor's Complex
Kennedy Space Center, FL 32899

DD PHASE
FOR DISCUSSION PURPOSES ONLY
NOT FOR CONSTRUCTION
10-JUNE-2009

NOTES:
-These drawings are issued for the purpose of communicating BRC-IA creative design intent. BRC-IA is not a licensed architectural or engineering firm and is relying on the client and their consultants for all elements to ensure personal and structural safety. BRC-IA assumes no responsibility for structural, engineering, and safety or code compliances.
-These drawings are based on preliminary construction drawings provided by others. Architect and all trades must field verify all dimensions.



Lexington
12660 Branford Street
Los Angeles • CA 91331
818-768-5768
www.lex-usa.com

REV	DATE	DESCRIPTION
-	-	-
-	-	-
-	-	-
-	-	-
-	-	-
-	-	-
-	-	-
-	-	-
-	-	-

PHASE	VISION
CHECKED	-
DRAWN	CB
PROJECT NO.	0387
CAD FILE	620_CMT_C_LER.dwg
SCALE	AS NOTED
SAVE DATE	10-Jun-09 / 10:36 AM
PLOT DATE	10-Jun-09 / 11:04 AM
DRAWING TITLE	

**LER MODEL
CABIN MODULE
FRP SECTIONS**

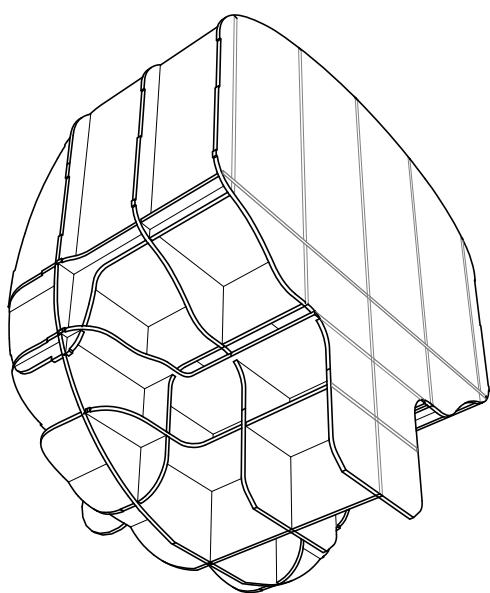
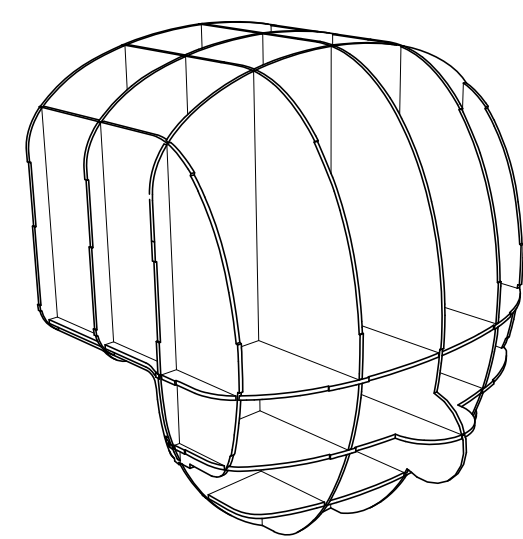
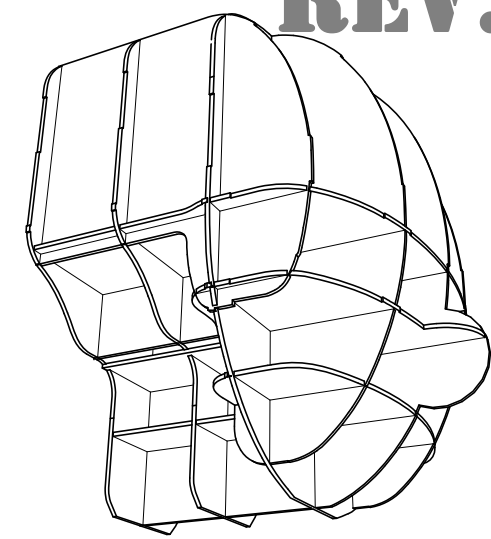
FLOOR/SCENE
YOUR LIFE IN SPACE
BUILDING/ATTRACTION
**CONSTELLATION
MISSION TRACKING
CENTER**

BRC
2711 WINONA AVENUE
BURBANK, CA 91504
TEL: (818) 841-8084
FAX: (818) 841-4996

SHEET NO. **SS-622** REV.

NOTE: SECTIONS 3, 4, 7 & ELEVATION B TO BE CNC CUT FOR SCULPTING BUCK.
VERIFY METHOD AND DELIVERABLES WITH SCULPTING DEPARTMENT.

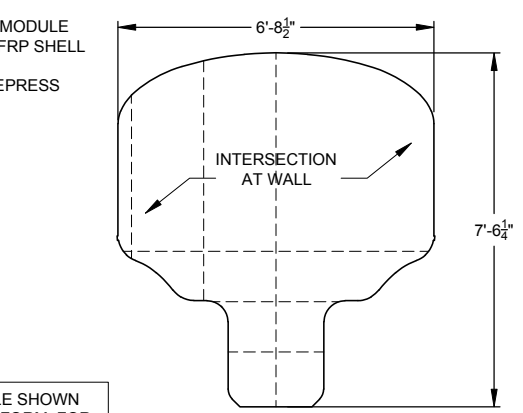
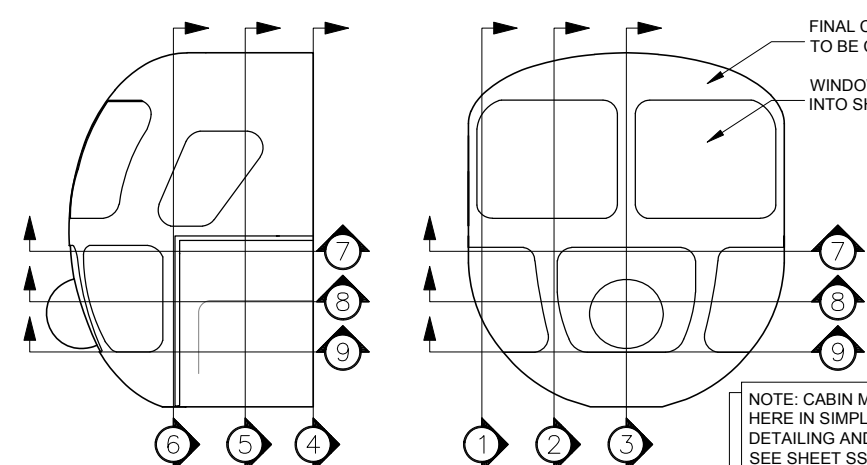
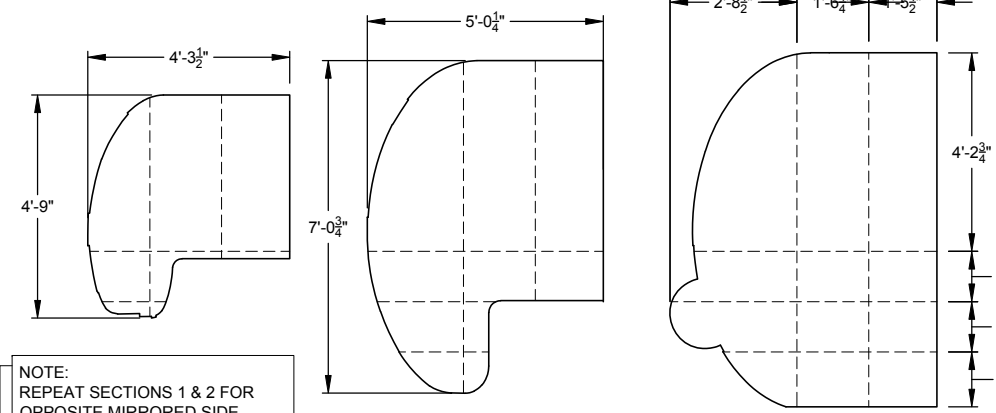
FINAL CABIN MODULE TO BE HOLLOW CAST FRP (NO WOOD RIBBING). CABIN MODULE TO MOUNT TO FACILITY REINFORCED WALL (NO REAR ACCESS) W/ BLOCKING AND DISCREET FASTENERS. CABIN MODULE MAY REQUIRE STEEL PERIMETER FRAME AT WALL INTERSECTION.



10 3D VIEW ASSEMBLED SECTIONS
NOT TO SCALE

11 3D VIEW ASSEMBLED SECTIONS
NOT TO SCALE

12 3D VIEW ASSEMBLED SECTIONS
NOT TO SCALE



1 SECTION
SCALE: 1/2" = 1'-0"

2 SECTION
SCALE: 1/2" = 1'-0"

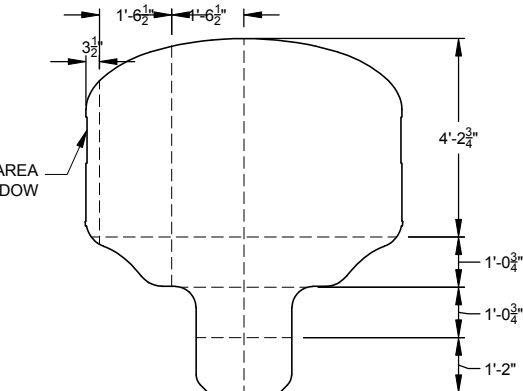
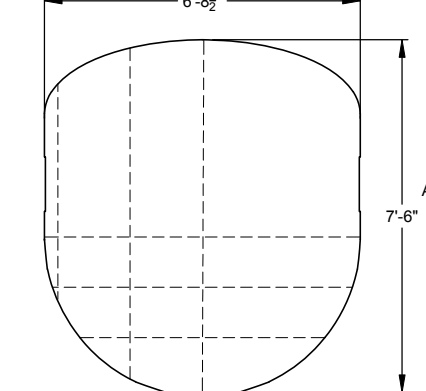
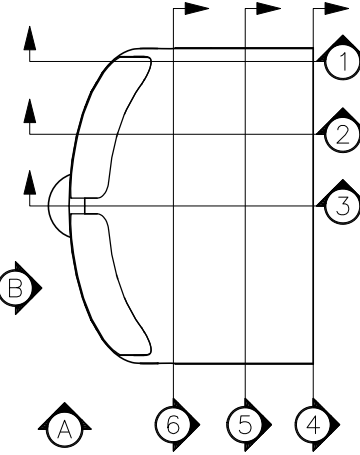
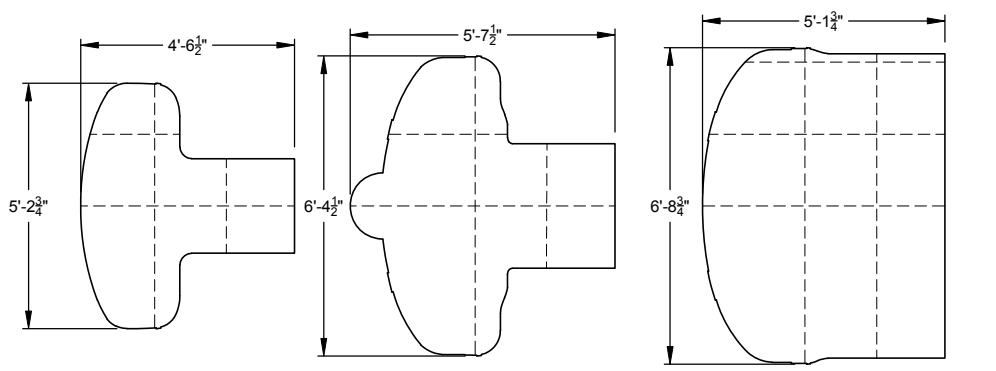
3 SECTION
SCALE: 1/2" = 1'-0"

A CABIN ELEVATION
SCALE: 1/2" = 1'-0"

B CABIN ELEVATION
SCALE: 1/2" = 1'-0"

4 SECTION
SCALE: 1/2" = 1'-0"

NOTE: SECTION 4 & SECTION 5 ARE DIFFERENT PATTERNS. SECTION 5 IS NOTCHED OUT FOR WINDOW INTERSECTION



9 SECTION
SCALE: 1/2" = 1'-0"

8 SECTION
SCALE: 1/2" = 1'-0"

7 SECTION
SCALE: 1/2" = 1'-0"

- CABIN PLAN
SCALE: 1/2" = 1'-0"

X SECTION
SCALE: 1/2" = 1'-0"

5 SECTION
SCALE: 1/2" = 1'-0"

I:\3250 Correlation Avenue BRC\Design\DWGs [Vendor]\Lexington\620_CMT_C_LER.dwg, 622, 6/10/2009 11:04:02 AM, chaurley, 1:1

REV. B

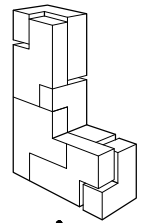


CLIENT:
John F. Kennedy Space Center
KSC Visitor's Complex
Kennedy Space Center, FL 32899

DD PHASE
FOR DISCUSSION PURPOSES ONLY
NOT FOR CONSTRUCTION
10-JUNE-2009

NOTES:

-These drawings are issued for the purpose of communicating BRC-IA creative design intent. BRC-IA is not a licensed architectural or engineering firm and is relying on the client and their consultants for all elements to ensure personal and structural safety. BRC-IA assumes no responsibility for structural, engineering, and safety or code compliances.
-These drawings are based on preliminary construction drawings provided by others. Architect and all trades must field verify all dimensions.



Lexington
12660 Branford Street
Los Angeles • CA 91331
818-768-5768
www.lex-usa.com

REV	DATE	DESCRIPTION
-	-/-/09	-

PHASE	VISION
CHECKED	-
DRAWN	CB
PROJECT NO.	0387
CAD FILE	620_CMT_CLER.dwg
SCALE	AS NOTED
SAVE DATE	10-Jun-09 / 10:36 AM
PLOT DATE	10-Jun-09 / 11:05 AM
DRAWING TITLE	LER MODEL CHASSIS

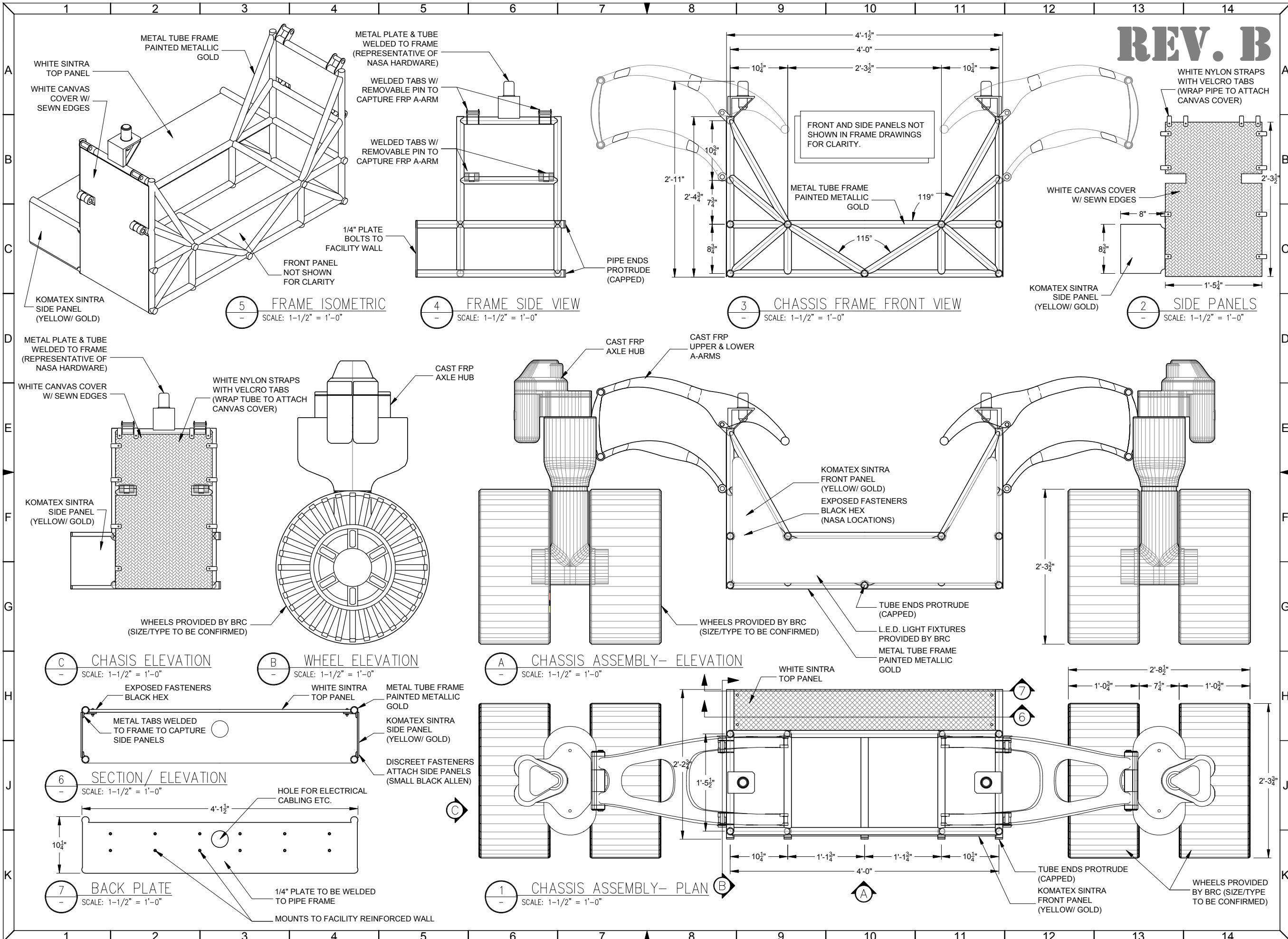
LER MODEL CHASSIS

FLOOR/SCENE
YOUR LIFE IN SPACE
BUILDING/ATTRACTION
CONSTELLATION MISSION TRACKING CENTER



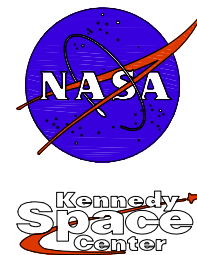
BRC
2711 WINONA AVENUE
BURBANK, CA 91504
TEL: (818) 841-8084
FAX: (818) 841-4996

SHEET NO. **SS-623** REV.



I:\3250 Correlation Adventure BRC\Design\DWGs [Vendor]\Lexington\620_CMT_CLER.dwg, 6/10/2009 11:04:23 AM, chaurey, 1:1

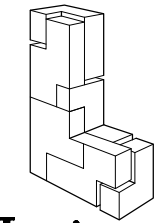
REV. B



CLIENT:
John F. Kennedy Space Center
KSC Visitor's Complex
Kennedy Space Center, FL 32899

DD PHASE
FOR DISCUSSION PURPOSES ONLY
NOT FOR CONSTRUCTION
10-JUNE-2009

NOTES:
-These drawings are issued for the purpose of communicating BRC-IA creative design intent. BRC-IA is not a licensed architectural or engineering firm and is relying on the client and their consultants for all elements to ensure personal and structural safety. BRC-IA assumes no responsibility for structural engineering, and safety or code compliances.
-These drawings are based on preliminary construction drawings provided by others. Architect and all trades must field verify all dimensions.



Lexington
12660 Branford Street
Los Angeles • CA 91331
818-768-5768
www.lex-usa.com

REV	DATE	DESCRIPTION
-	-	-
-	-	-
-	-	-
-	-	-
-	-	-
-	-	-
-	-	-
-	-	-
-	-	-

PHASE	VISION
CHECKED	-
DRAWN	CB
PROJECT NO.	0387
CAD FILE	620_CMTIC_LER.dwg
SCALE	AS NOTED
SAVE DATE	10-Jun-09 / 10:36 AM
PLOT DATE	10-Jun-09 / 11:05 AM

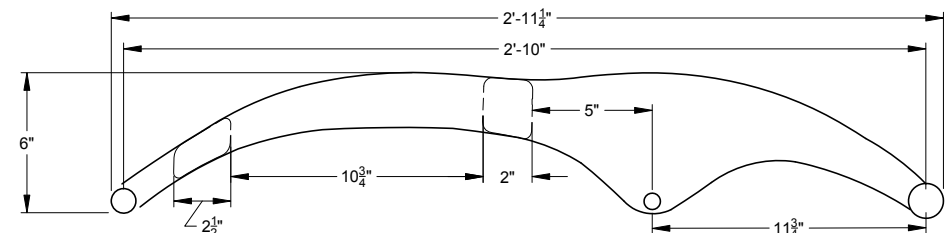
DRAWING TITLE
**LER MODEL
WHEEL & HUB**

FLOOR/SCENE
YOUR LIFE IN SPACE
BUILDING/ATTRACTION
CONSTELLATION
MISSION TRACKING
CENTER



BRC
2711 WINONA AVENUE
BURBANK, CA 91504
TEL: (818) 841-8084
FAX: (818) 841-4996

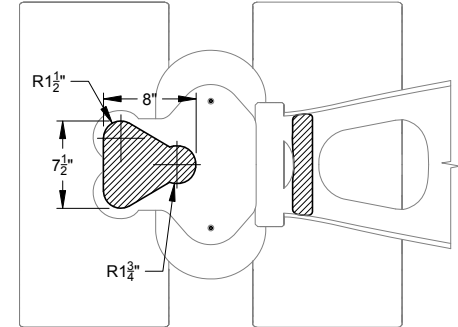
SHEET NO. **SS-624** REV.



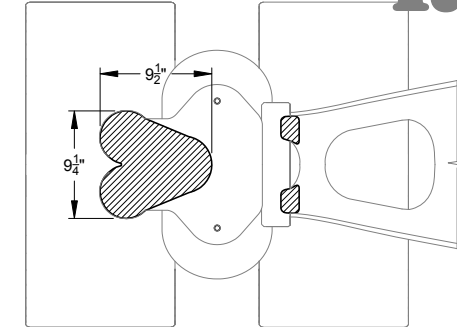
8 A-ARM DETAIL
SCALE: 3" = 1'-0"

NOTE: A-ARMS TO BE CAST FIBERGLASS WITH AN EMBEDDED METAL FRAME FOR STRUCTURAL REINFORCEMENT.

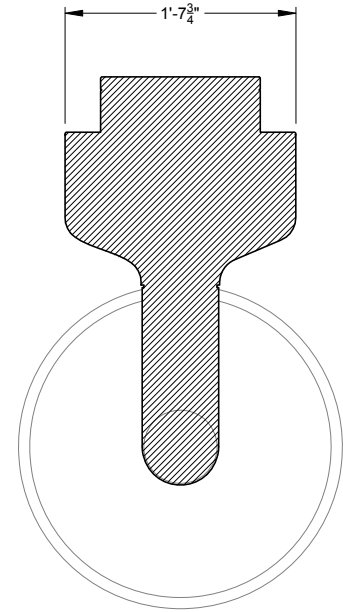
BUILD 2 SETS



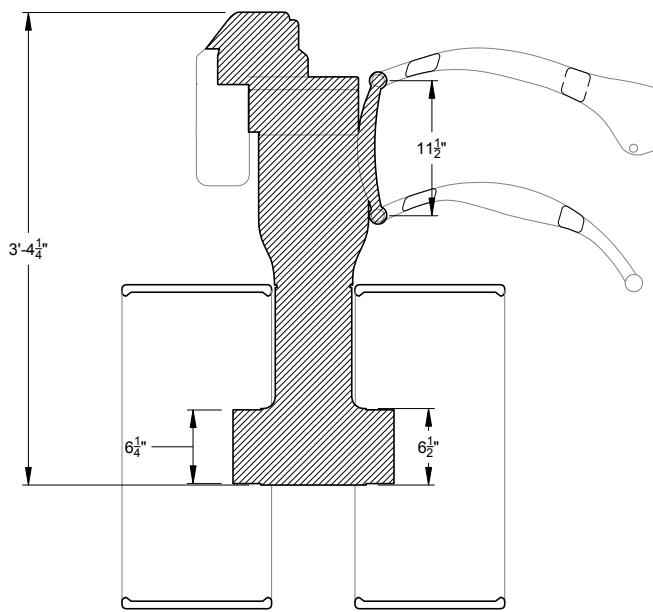
2 SECTION PLAN
SCALE: 1-1/2" = 1'-0"



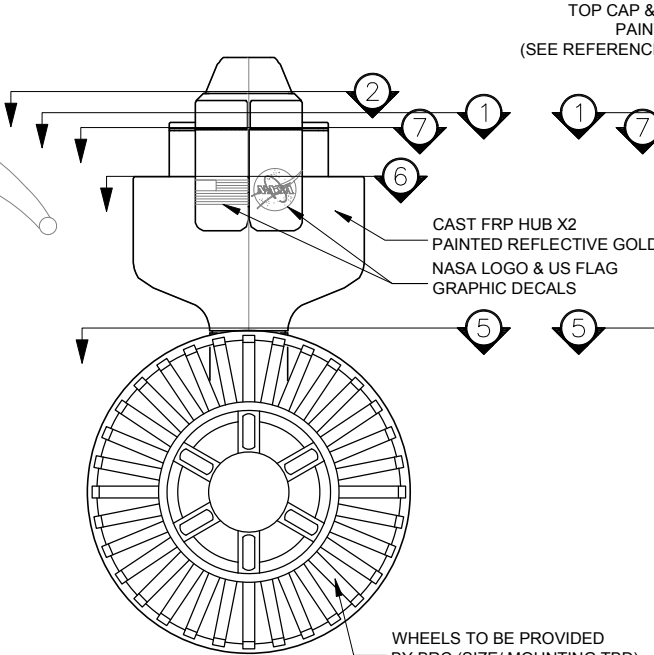
1 SECTION PLAN
SCALE: 1-1/2" = 1'-0"



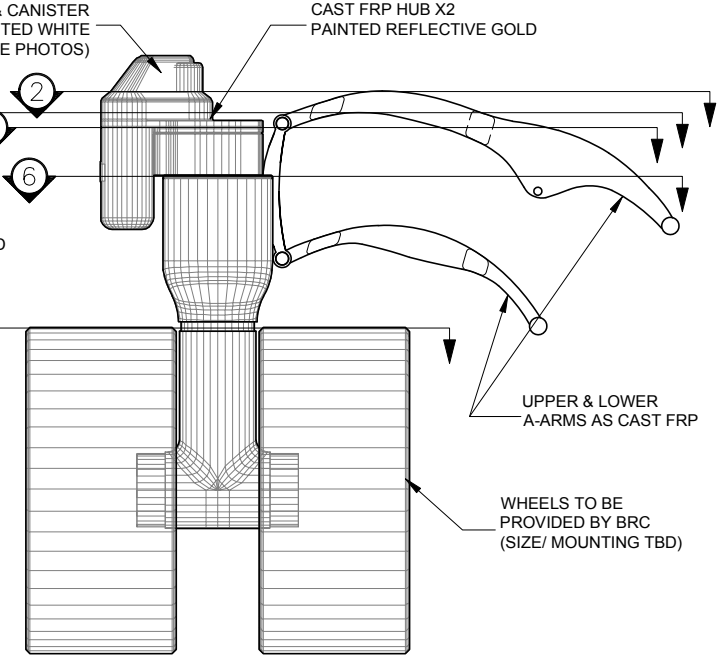
4 SECTION
SCALE: 1-1/2" = 1'-0"



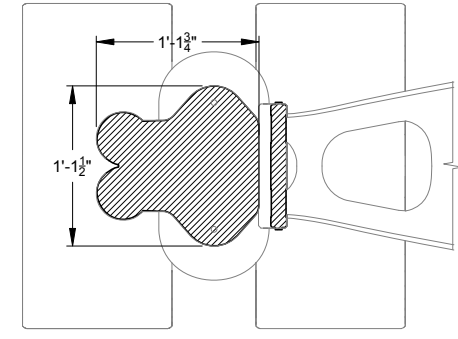
3 SECTION
SCALE: 1-1/2" = 1'-0"



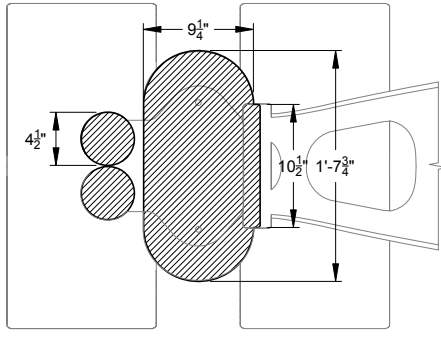
B WHEEL & HUB ELEVATION
SCALE: 1-1/2" = 1'-0"



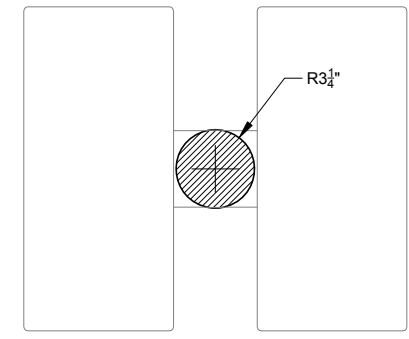
A WHEEL & HUB ELEVATION
SCALE: 1-1/2" = 1'-0"



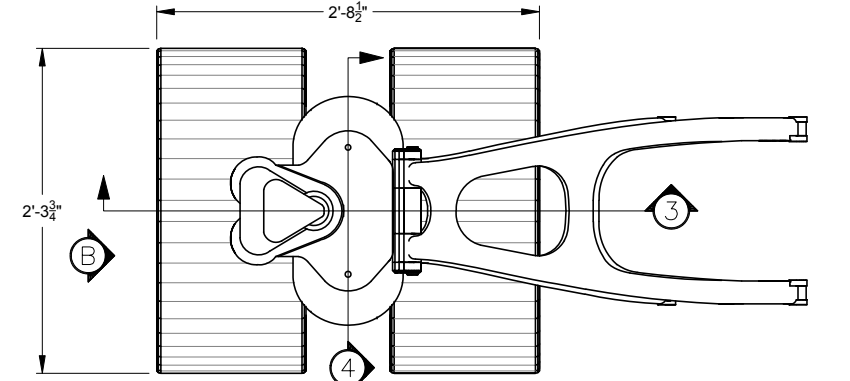
7 SECTION PLAN
SCALE: 1-1/2" = 1'-0"



6 SECTION PLAN
SCALE: 1-1/2" = 1'-0"



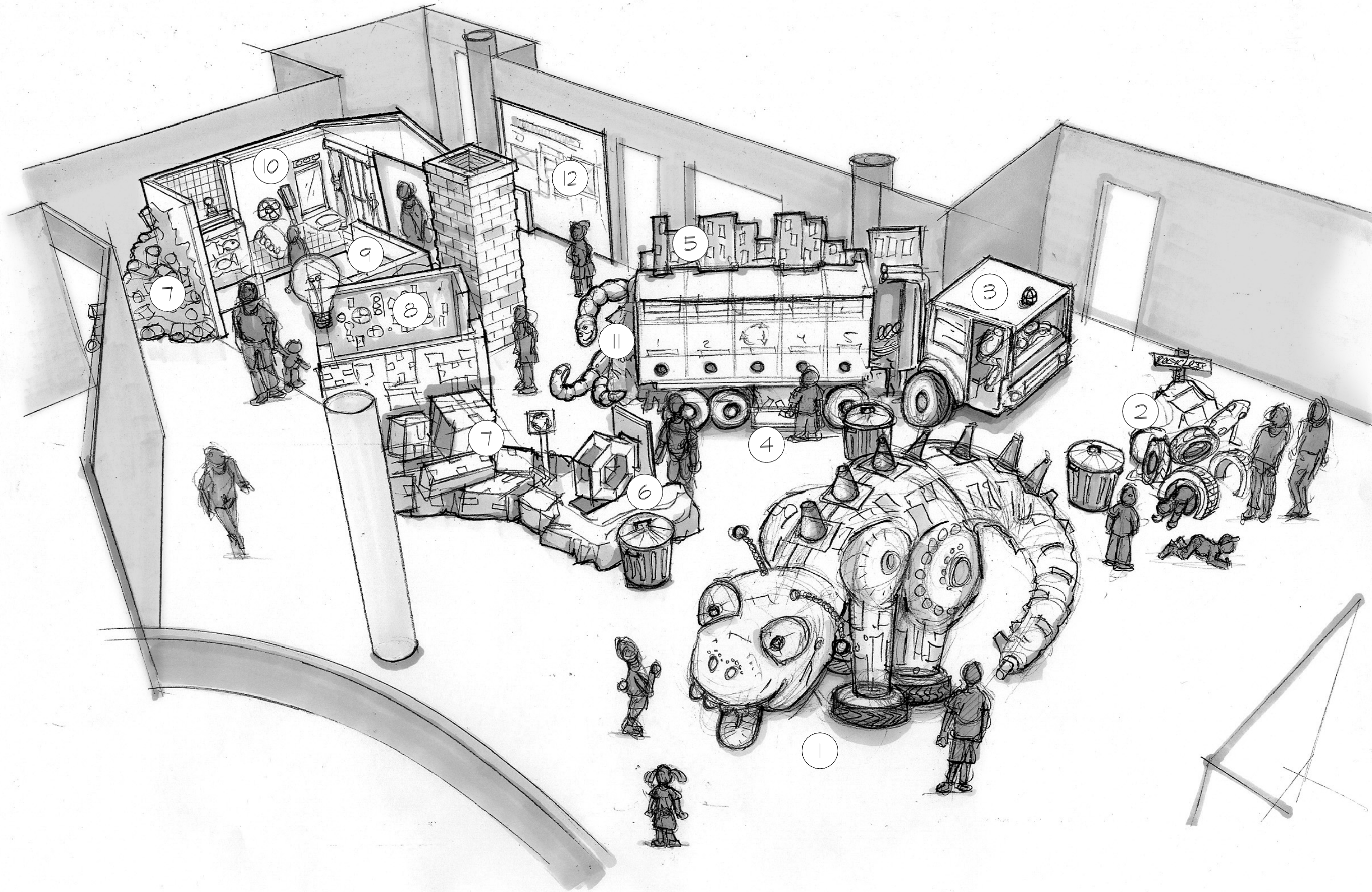
5 SECTION PLAN
SCALE: 1-1/2" = 1'-0"



WHEEL & HUB PLAN
SCALE: 1-1/2" = 1'-0"

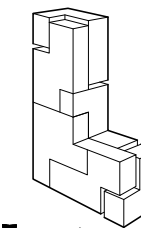
I:\3250 Correlation Adventure BRC\Design\DWGs [Vendors]\Lexington\620_CMTIC_LER.dwg, 6/10/2009 11:05:19 AM, cbaurley, 1:1

H:\2285-Greenwillie-Children's-Museum\Design\2285-EX-14.1-1-12/03/2007-11:43:44 AM-obaury.12



1 PERSPECTIVE: GLOBAL IMPACT
NOT TO SCALE

WORK IN PROGRESS



Lexington

12660 Branford Street
Los Angeles • CA 91331
818-768-5768
www.lex-usa.com

The Children's Museum of the Upstate

ORIGINAL

DATE DESCRIPTION OF REVISIONS

1	
2	
3	
4	
5	
6	

APPROVED BY DATE

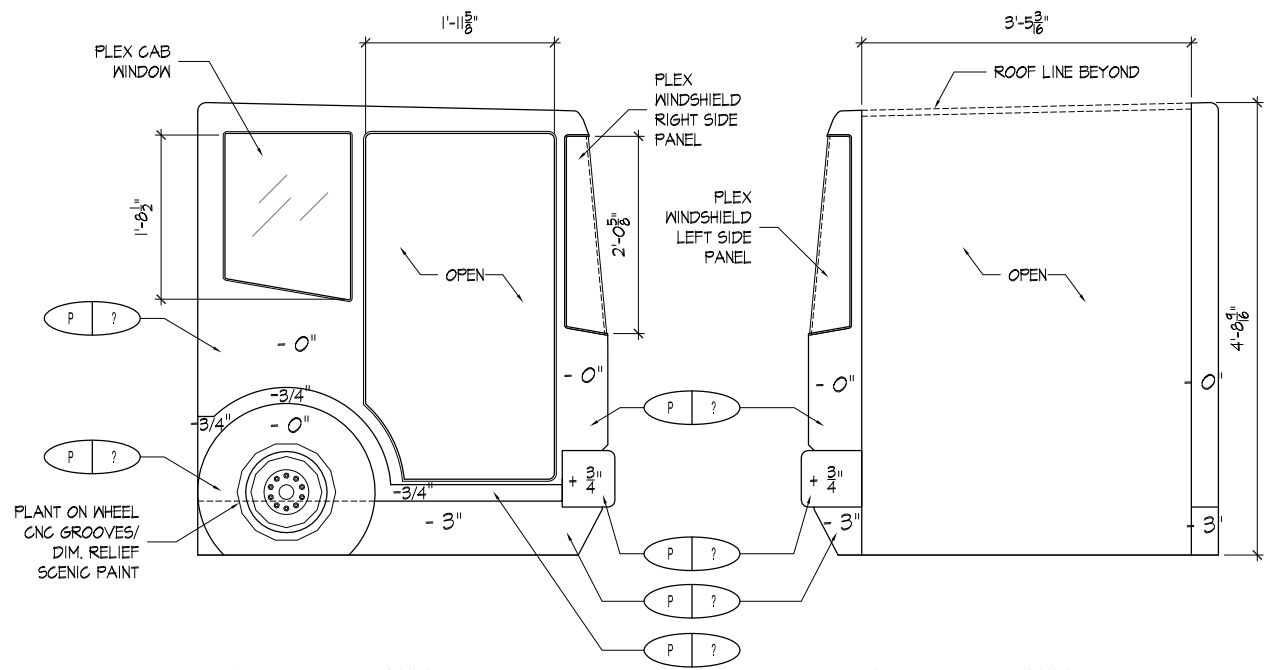
SCALE	JOB #
AS NOTED	2285
DRAWN BY	DATE
CB	12/03/2007

DRAWING TITLE
UPPER FLOOR
GLOBAL IMPACT
PERSPECTIVE

SHEET NO. / FILE NAME

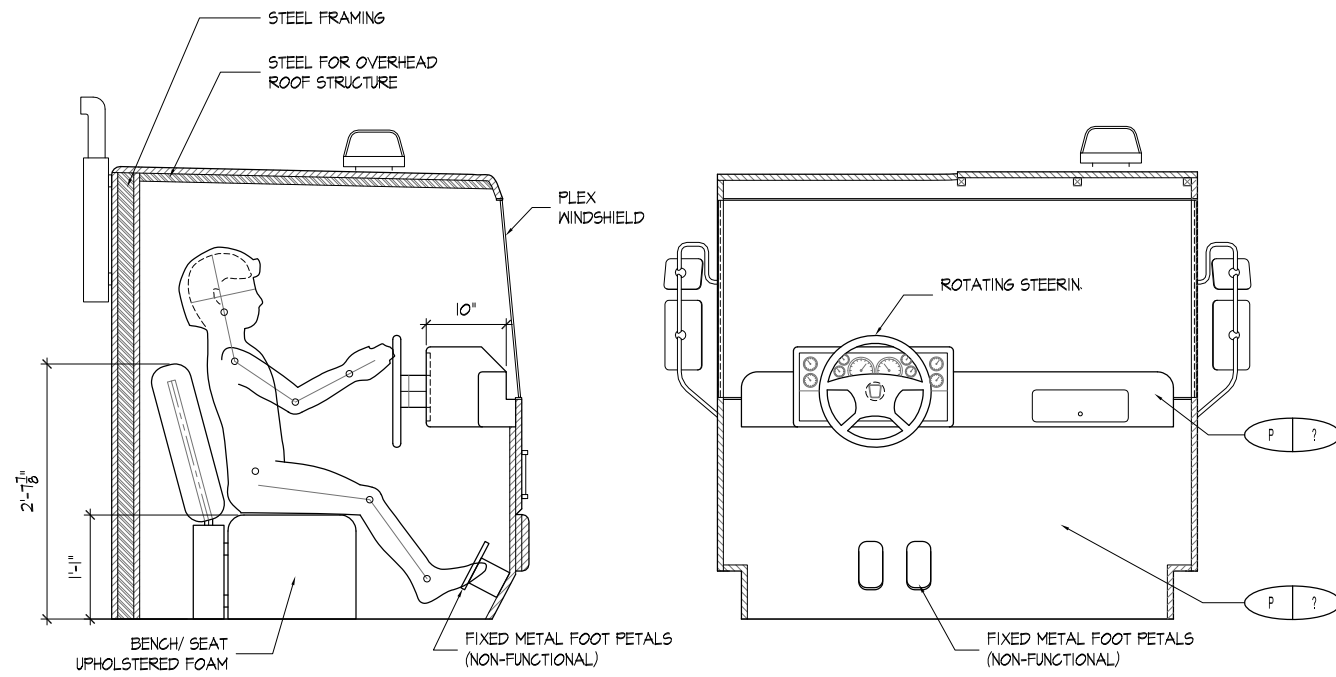
2285-EX-14.1-1

I:\2285 Greenville Children's Museum\Design\2285-EX-14.6_14.7.dwg, EX-14.6-2, 12/1/2008 9:23:04 AM, cbaurley, 1:2



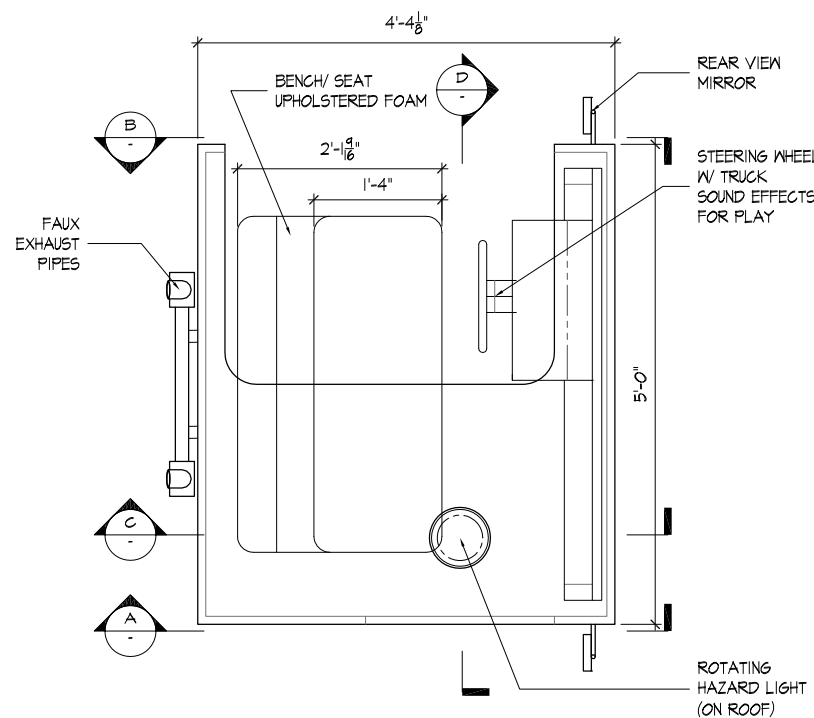
A EXT. DOOR PANEL SECTION
SCALE: 1"=1'-0"

B EXT. DOOR PANEL SECTION
SCALE: 1"=1'-0"

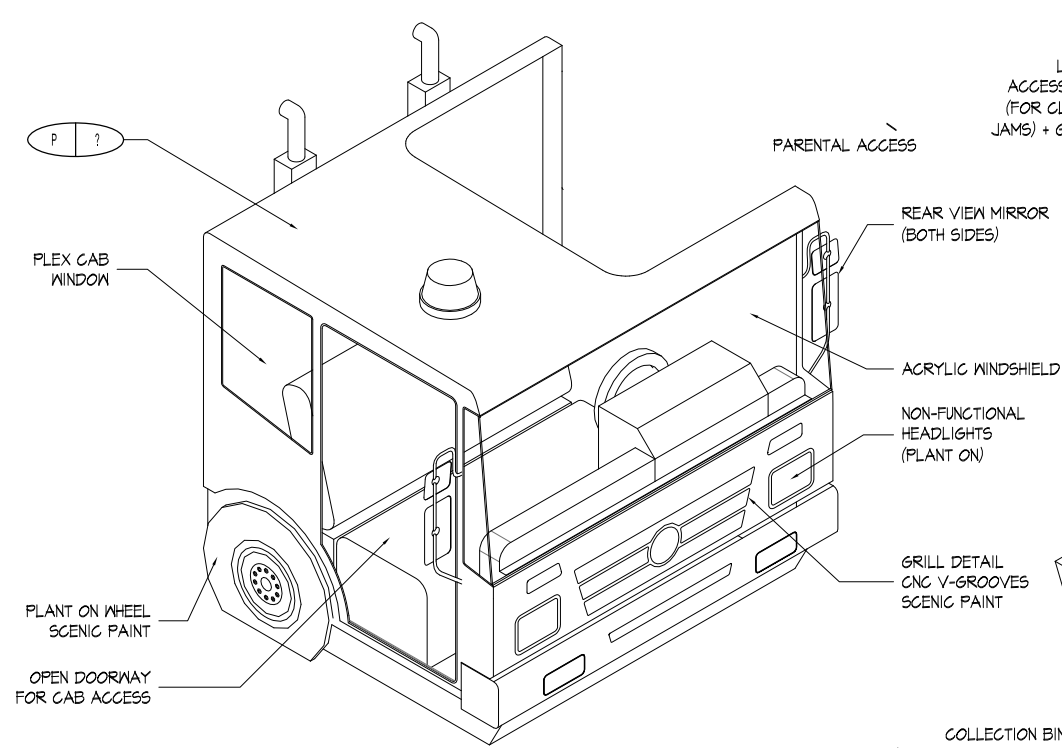


C INT. CAB SECTION
SCALE: 1"=1'-0"

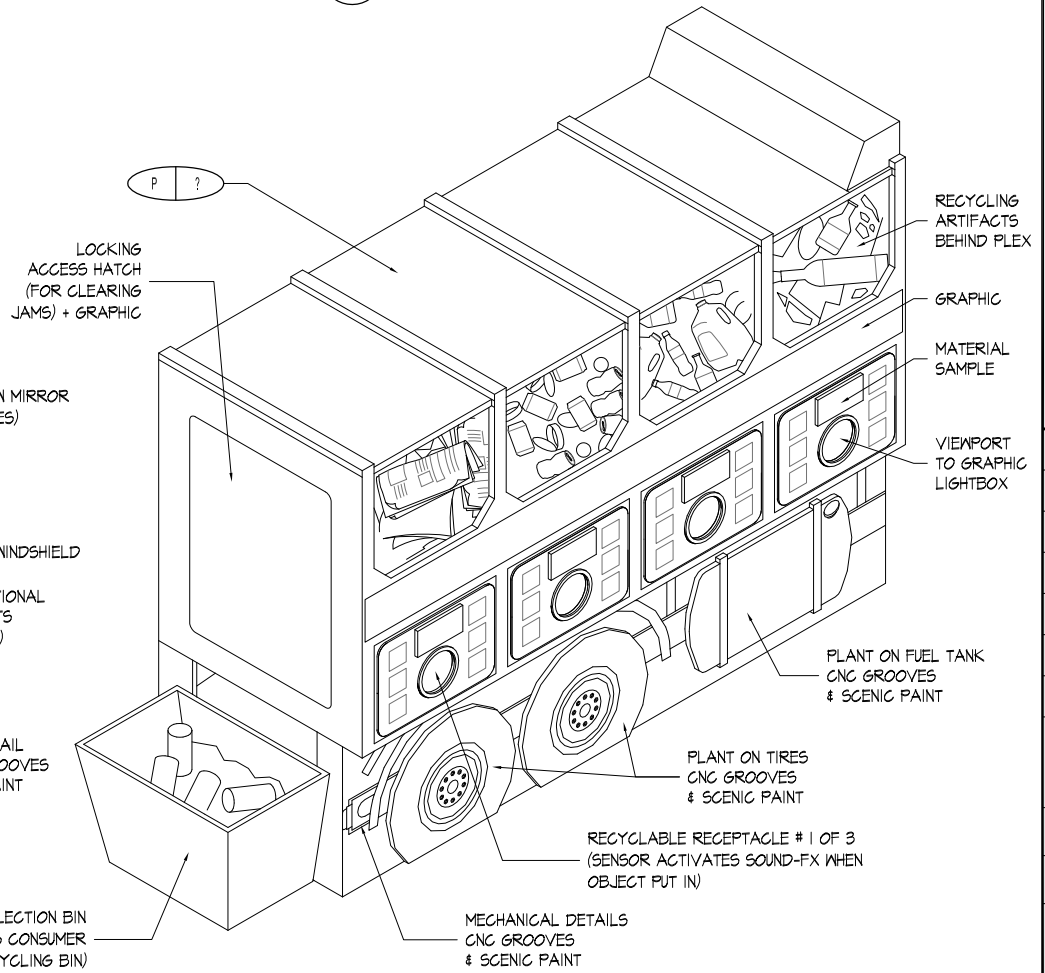
D INT. CAB SECTION
SCALE: 1"=1'-0"



1 PLAN
SCALE: 1"=1'-0"

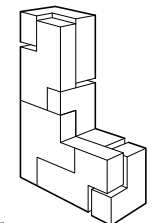


1 ISOMETRIC VIEW- CAB
SCALE: 1"=1'-0"



2 ISOMETRIC VIEW- TRAILER
SCALE: 1"=1'-0"

WORK IN PROGRESS



Lexington

12660 Branford Street
Los Angeles • CA 91331
818-768-5768
www.lex-usa.com

The Children's Museum of the Upstate

ORIGINAL

#	DATE	DESCRIPTION OF REVISIONS
1		
2		
3		
4		
5		
6		

APPROVED BY _____ DATE _____

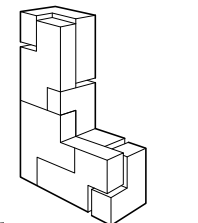
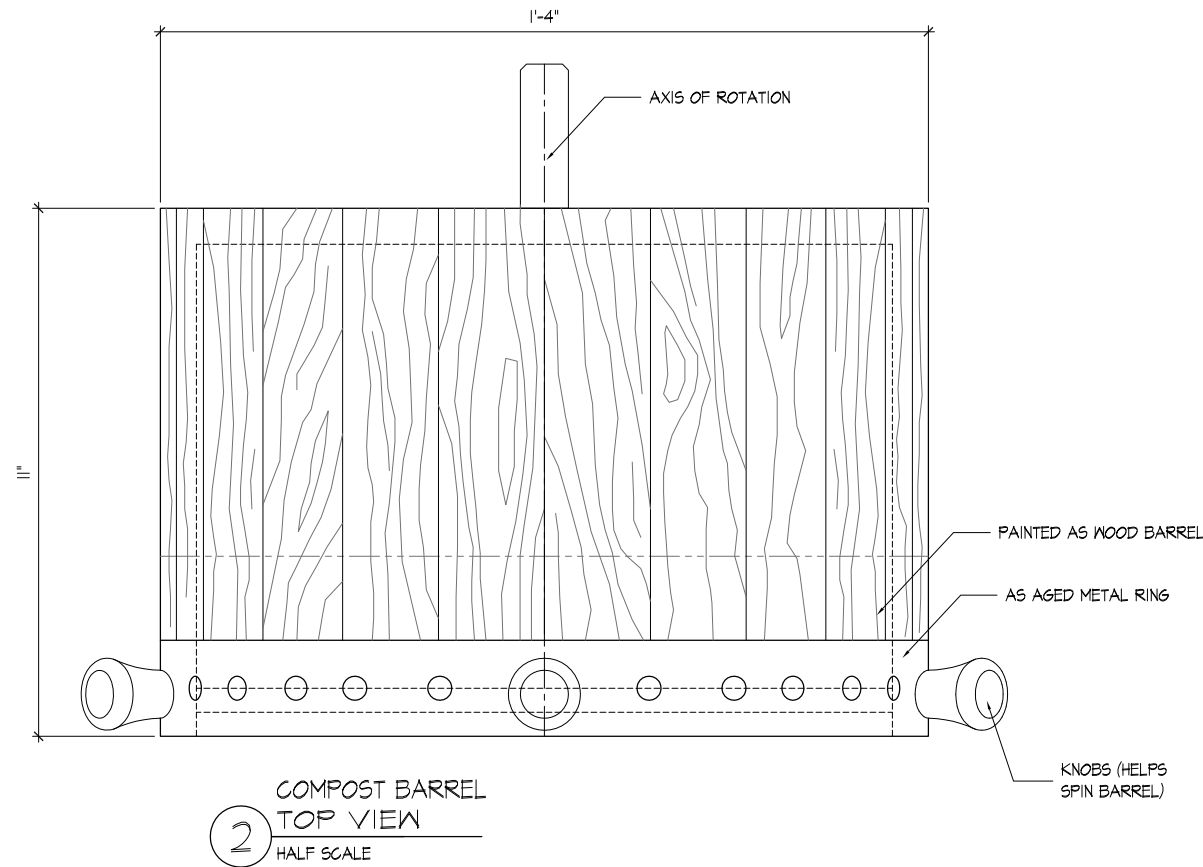
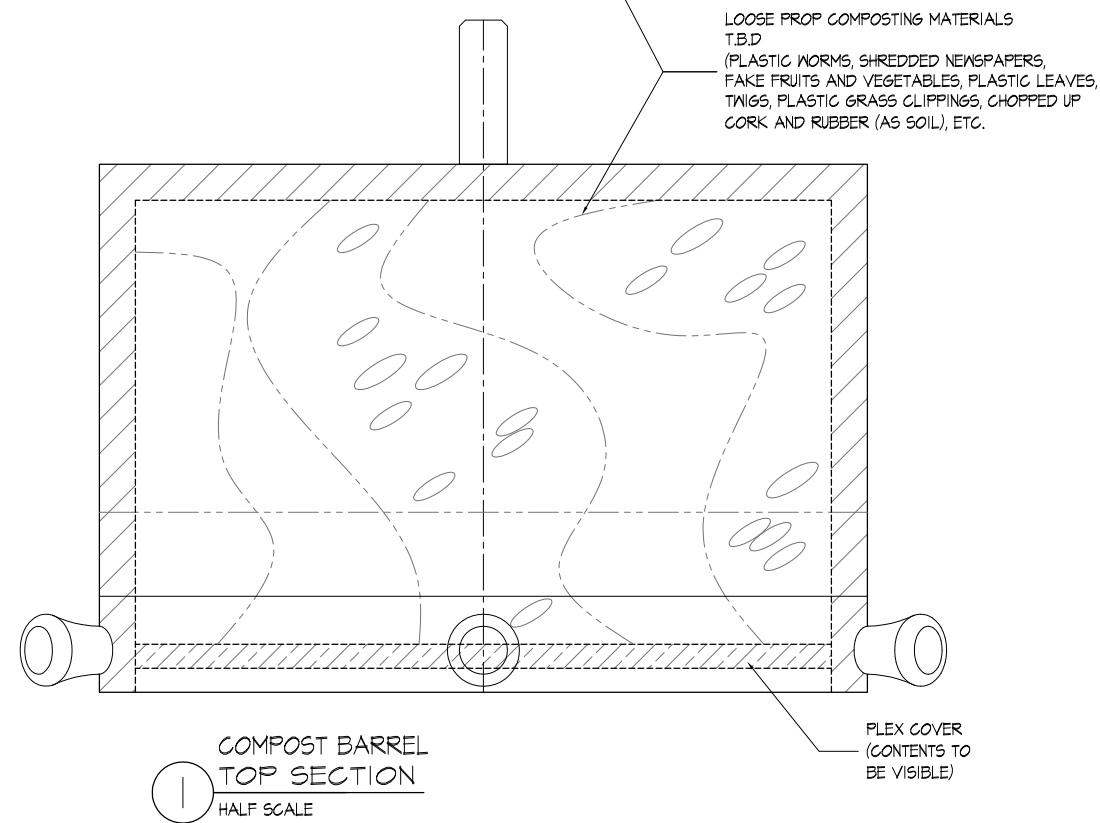
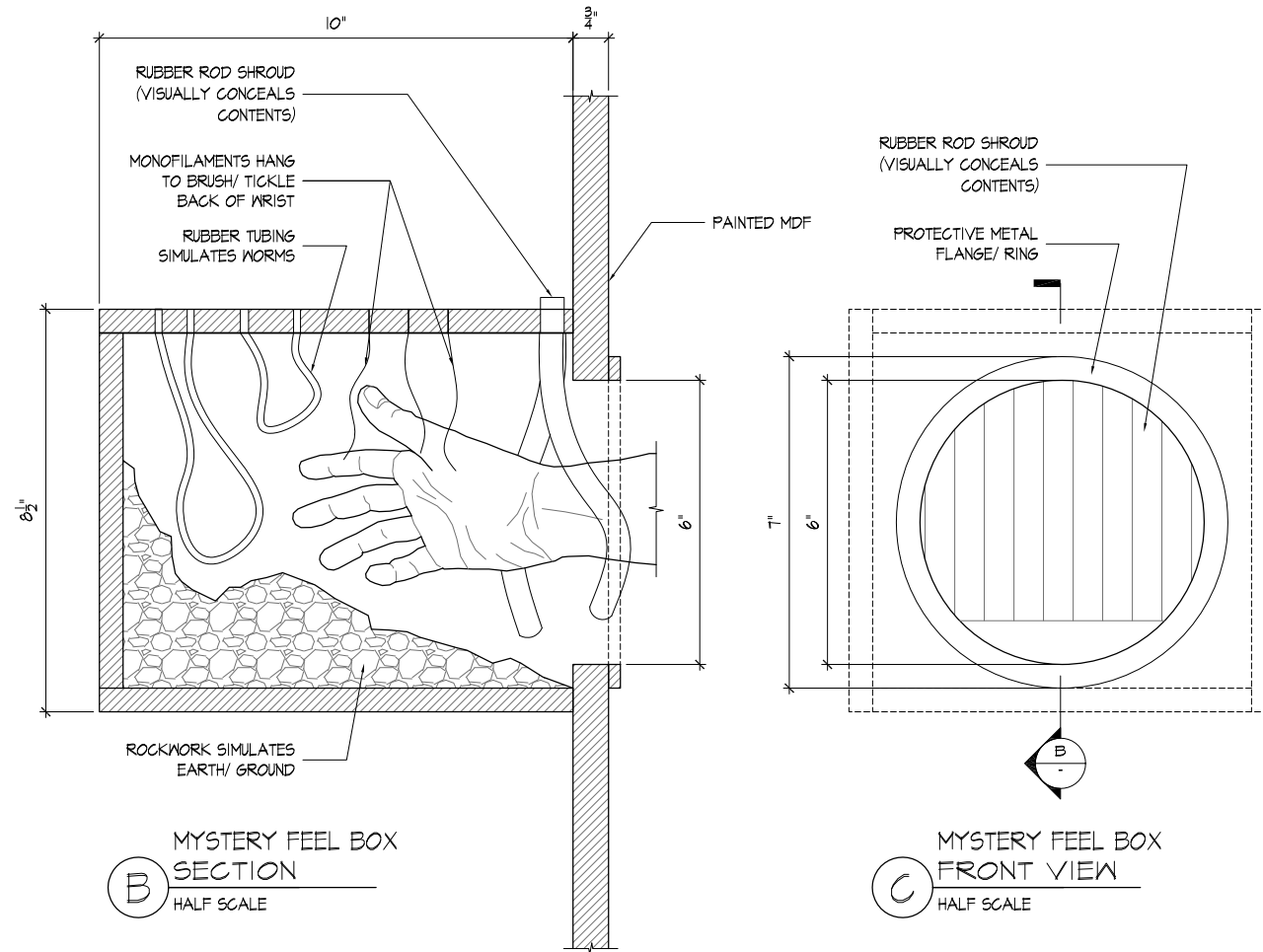
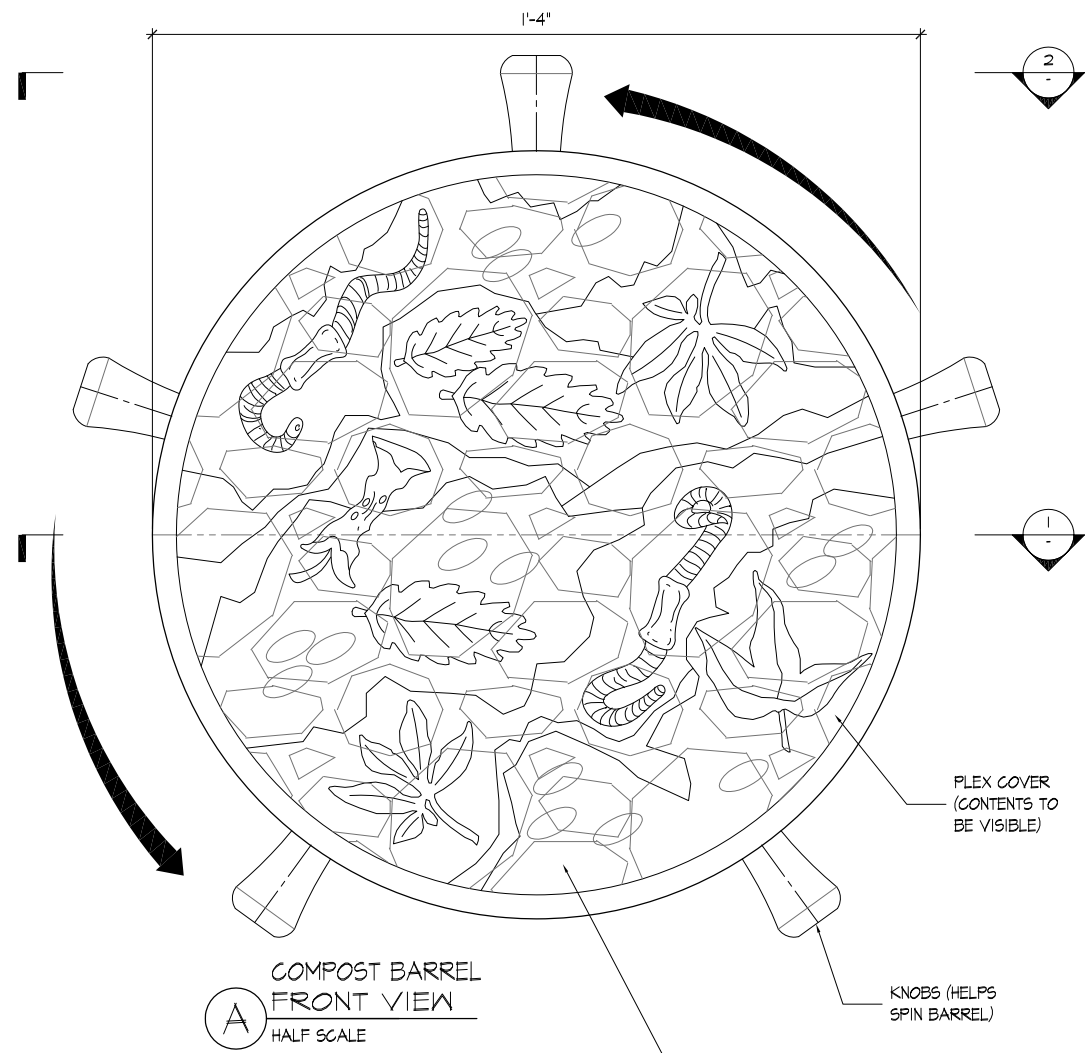
SCALE AS NOTED	JOB # 2285
DRAWN BY CB	DATE 12/01/2008

DRAWING TITLE
UPPER FLOOR
TALKING TRASH
RECYCLING TRUCK

SHEET NO. / FILE NAME

2285-EX-14.6-2

I:\2285 Greenville Children's Museum\Design\2285-EX-14.6_14.7.dwg, EX-14.7-2, 11/24/2008 4:56:29 PM, cbaurley, 1:2



Lexington
12660 Branford Street
Los Angeles • CA 91331
818-768-5768
www.lex-usa.com

The Children's Museum of the Upstate

ORIGINAL

#	DATE	DESCRIPTION OF REVISIONS
1		
2		
3		
4		
5		
6		

APPROVED BY _____ DATE _____

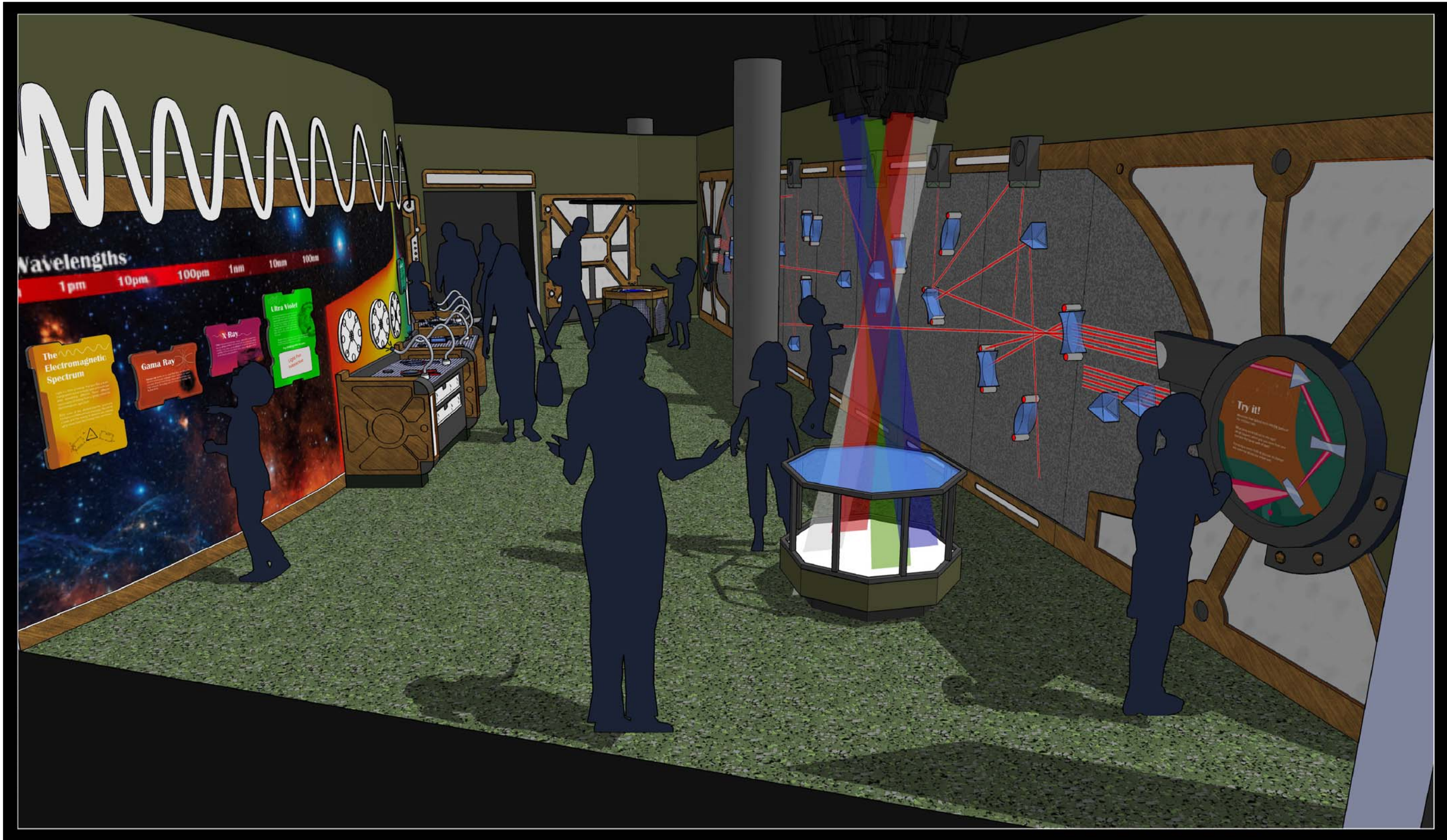
SCALE AS NOTED JOB # 2285
DRAWN BY CB DATE 09/11/2008

DRAWING TITLE
UPPER FLOOR
GLOBAL IMPACT
COMPOSTING
INTERACTIVE DETAIL

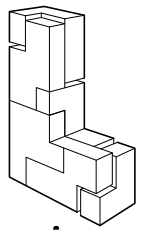
SHEET NO. / FILE NAME
2285-EX-14.7-2

WORK IN PROGRESS

I:\2285 Greenville Children's Museum\Design\Colors & finishes\13 Light Waves Ahead\2285-CF-13.1_10/6/2008 3:22:16 PM, cbaurley, 1:2



1 PERSPECTIVE VIEW
LIGHT WAVES AHEAD



Lexington

12660 Branford Street
Los Angeles • CA 91331
818-768-5768
www.lex-usa.com

The Children's Museum of the Upstate

ORIGINAL

#	DATE	DESCRIPTION OF REVISIONS
1		
2		
3		
4		
5		
6		

APPROVED BY _____ DATE _____

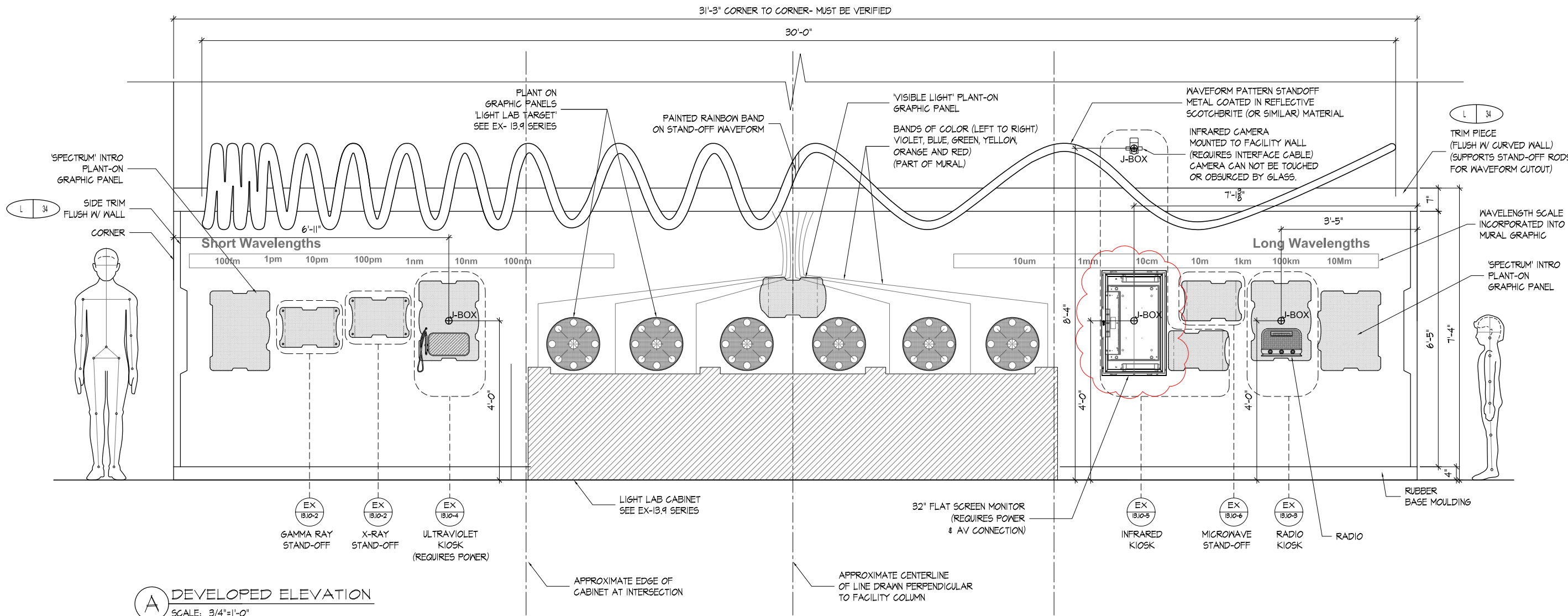
SCALE: As Noted JOB #: 2285

DRAWN BY: CB DATE: 10/06/2008

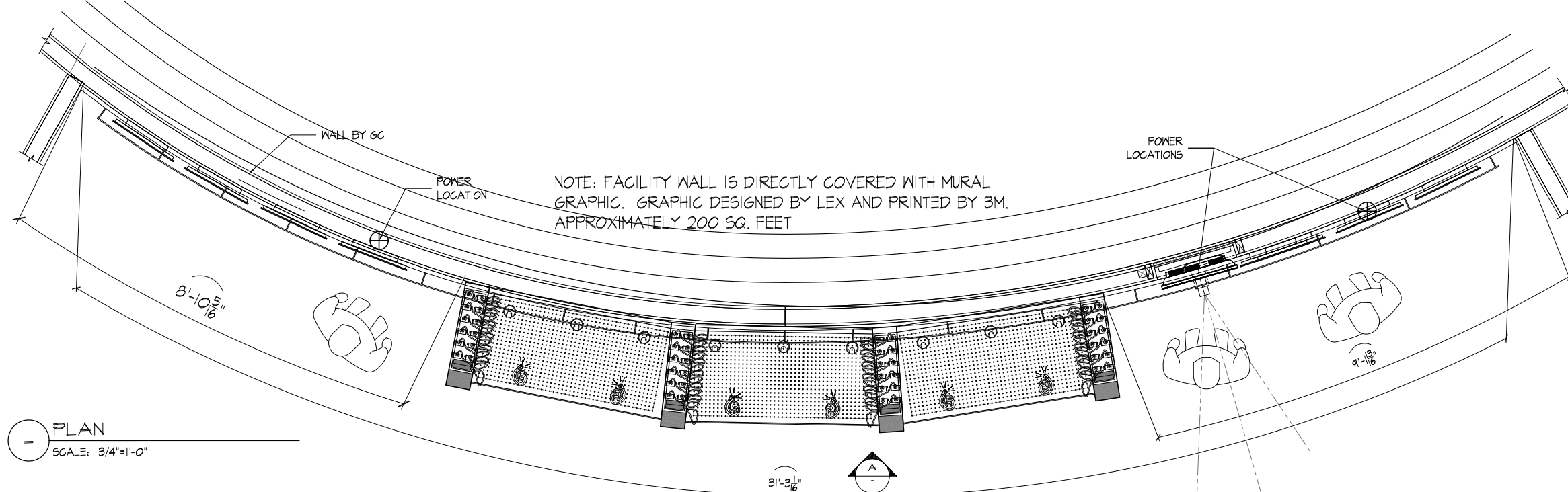
DRAWING TITLE
COLOR & FINISHES
LIGHT WAVES AHEAD
PERSPECTIVE VIEW

SHEET NO. / FILE NAME
2285-CF-13.1

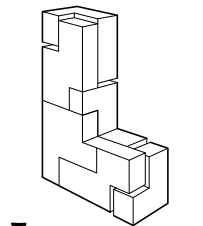
I:\2285 Greenville Children's Museum\Design\2285-EX-13.4.dwg, EX-13.10-1, 12/4/2008 2:05:56 PM, cbaurley, 1:2



A DEVELOPED ELEVATION
SCALE: 3/4"=1'-0"



- PLAN
SCALE: 3/4"=1'-0"



Lexington

12660 Branford Street
Los Angeles • CA 91331
818-768-5768
www.lex-usa.com

The Children's Museum of the Upstate

ORIGINAL

#	DATE	DESCRIPTION OF REVISIONS
1		
2		
3		
4		
5		
6		

APPROVED BY _____ DATE _____

SCALE As Noted	JOB # 2285
DRAWN BY C. BAURLEY	DATE 10/08/2008

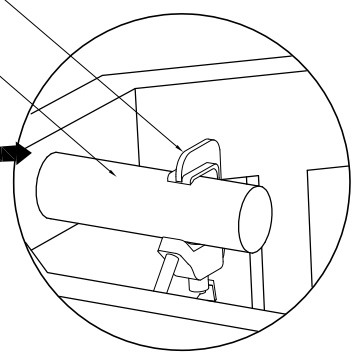
DRAWING TITLE
UPPER FLOOR
LIGHT WAVES AHEAD
SPECTRUM WALL
OVERVIEW

SHEET NO. / FILE NAME
2285-EX-13.10-1

WORK IN PROGRESS

I:\2285 Greenville Children's Museum\Design\2285-EX-13.4.dwg, EX-13.6, 12/14/2008 1:59:52 PM, cbaurley, 1:2

PIPE CLAMP ATTACHED TO LIGHTS (3 PLACES)
 ROUND PIPE STUB (3 PLACES) FOR REMOVABLE PIPE CLAMP (ALLOWS LIGHT TO SLIDE OFF FOR SERVICE AND ADJUSTMENT)



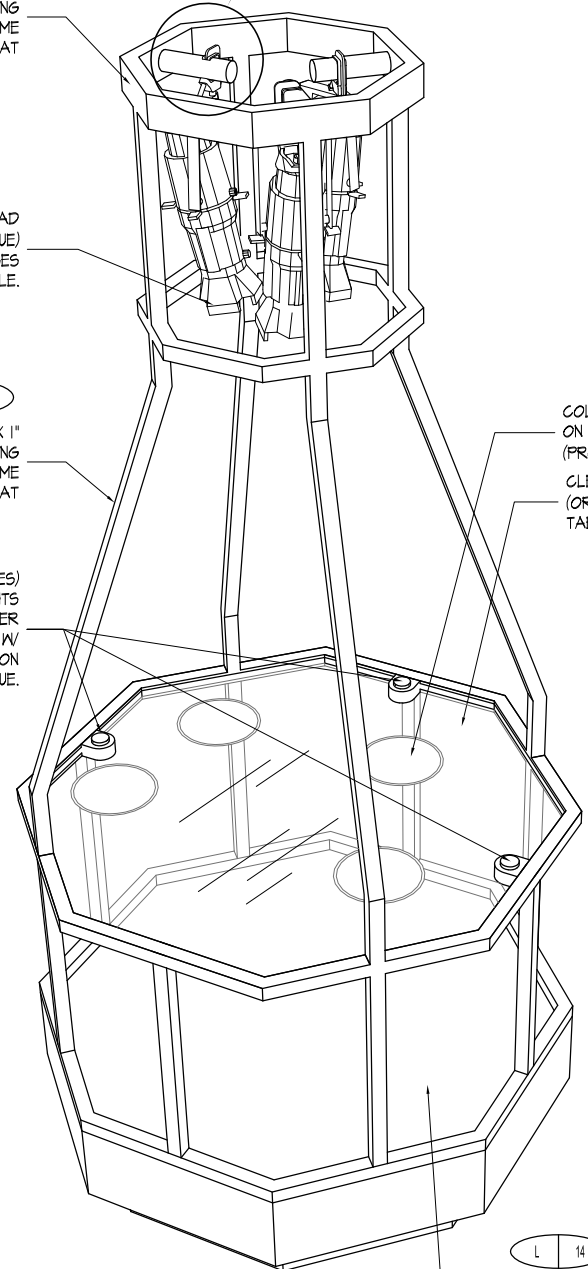
R 07
 2" X 1" SQUARE TUBING STEEL FRAME POWDER COAT

3 LIGHTS OVERHEAD (RED, GREEN, & BLUE) PROJECTS/ FOCUSES LIGHT TO HIT TABLE.

R 07
 1" X 1" SQUARE TUBING STEEL FRAME POWDER COAT

COLORED GELS ON SURFACE (PROPS FOR PLAY)
 CLEAR ACRYLIC (OR GLASS) TABLE TOP

PUSH-BUTTON (3 PLACES) ACTIVATES 1 OF 3 LIGHTS ON 30 SEC TIMER COLOR CODED W/ ILLUMINATED PUSH-BUTTON RED, GREEN & BLUE.



L 14
 FLAT WHITE PROJECTION SURFACE

1 PERSPECTIVE
 NOT TO SCALE

NOTE: THE COUNTER SURFACE IS CREATED FROM A CLEAR ACRYLIC (OR GLASS). 3 PUSH-BUTTONS ACTIVATE 3 DIFFERENT LIGHTS (RED, GREEN & BLUE). PIECES OF COLORED GEL ARE MOVED AROUND THE SURFACE BY THE VISITOR TO MIX COLORS. THE RESULTING COLOR WILL BE SEEN ON THE SCREEN BELOW.

3 LIGHTS OVERHEAD (RED, GREEN, & BLUE) PROJECTS/ FOCUSES LIGHT TO HIT TABLE TOP ONLY

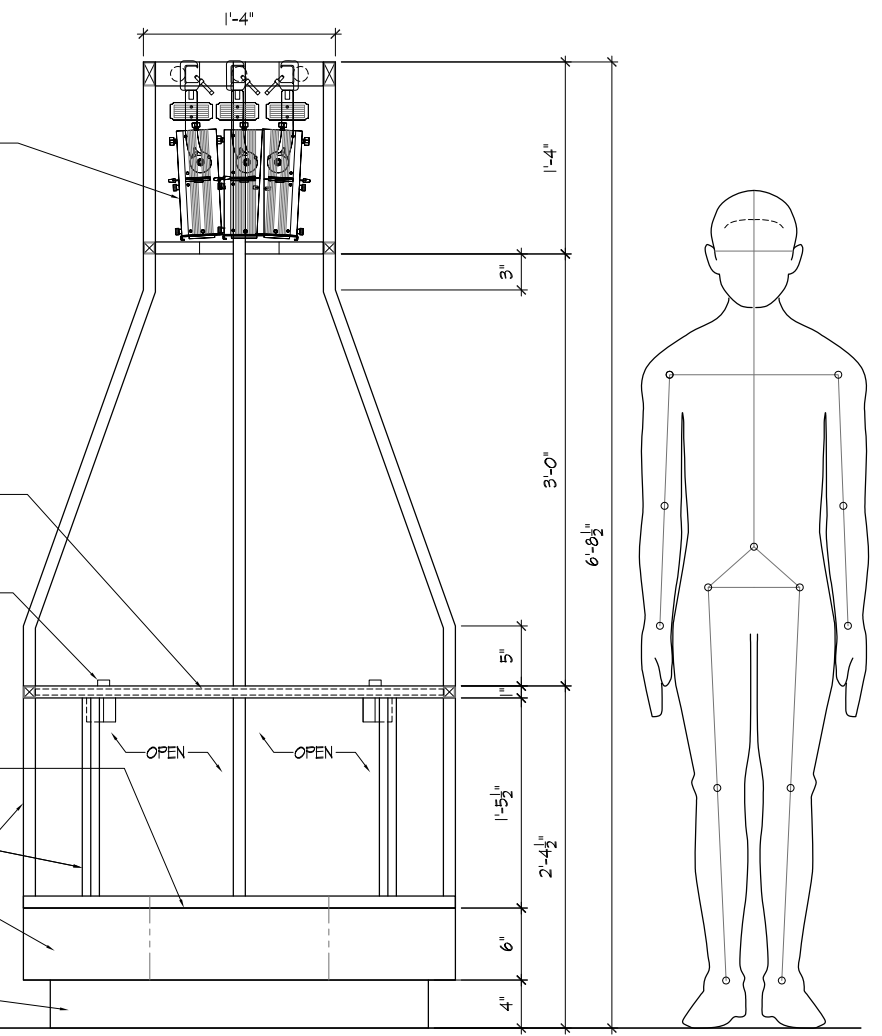
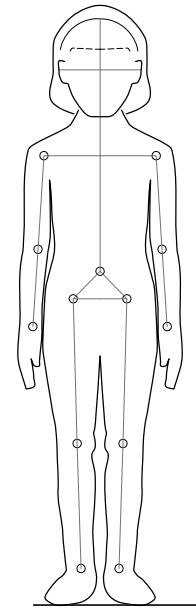
CLEAR ACRYLIC (OR GLASS) TABLE TOP
 PUSH-BUTTON (3 PLACES) ACTIVATES 1 OF 3 LIGHTS ON 30 SEC TIMER COLOR CODED W/ ILLUMINATED PUSH-BUTTON RED, GREEN & BLUE.

L 14
 FLAT WHITE PROJECTION SURFACE (TOP)

R 07
 1" X 1" SQUARE TUBING POWDER COAT

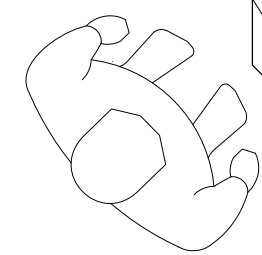
L 35
 LAMINATED PLY

L 15
 LAMINATED PLY

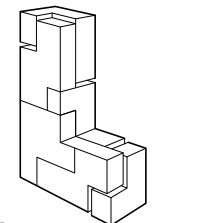
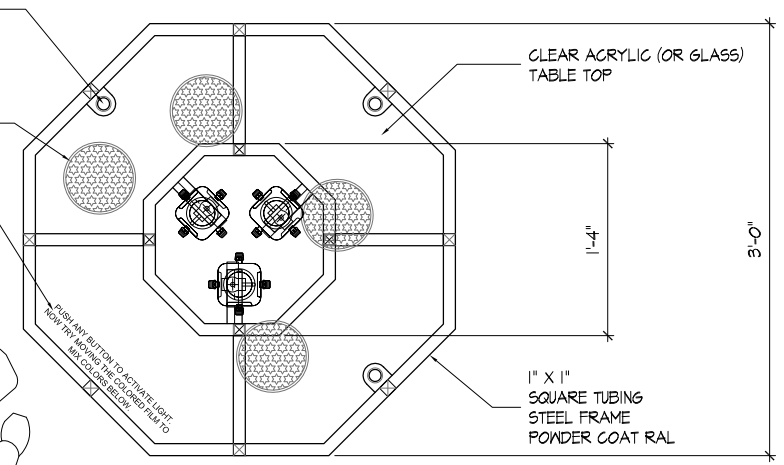


A ELEVATION
 SCALE: 1/2"=1'-0"

PUSH-BUTTON (3 PLACES) ACTIVATES 1 OF 3 LIGHTS ON 30 SEC TIMER COLOR CODED W/ ILLUMINATED PUSH-BUTTON RED, GREEN & BLUE.
 COLORED GELS (USER MOVES AND STACKS GELS TO MIX COLORS ON PROJECTION AREA BELOW)
 VINYL TEXT FACE MOUNTED TO UNDERSIDE OF CLEAR TOP



2 PLAN
 SCALE: 1/2"=1'-0"



Lexington
 12660 Branford Street
 Los Angeles • CA 91331
 818-768-5768
 www.lex-usa.com

The Children's Museum of the Upstate

ORIGINAL

#	DATE	DESCRIPTION OF REVISIONS
1		
2		
3		
4		
5		
6		

APPROVED BY _____ DATE _____

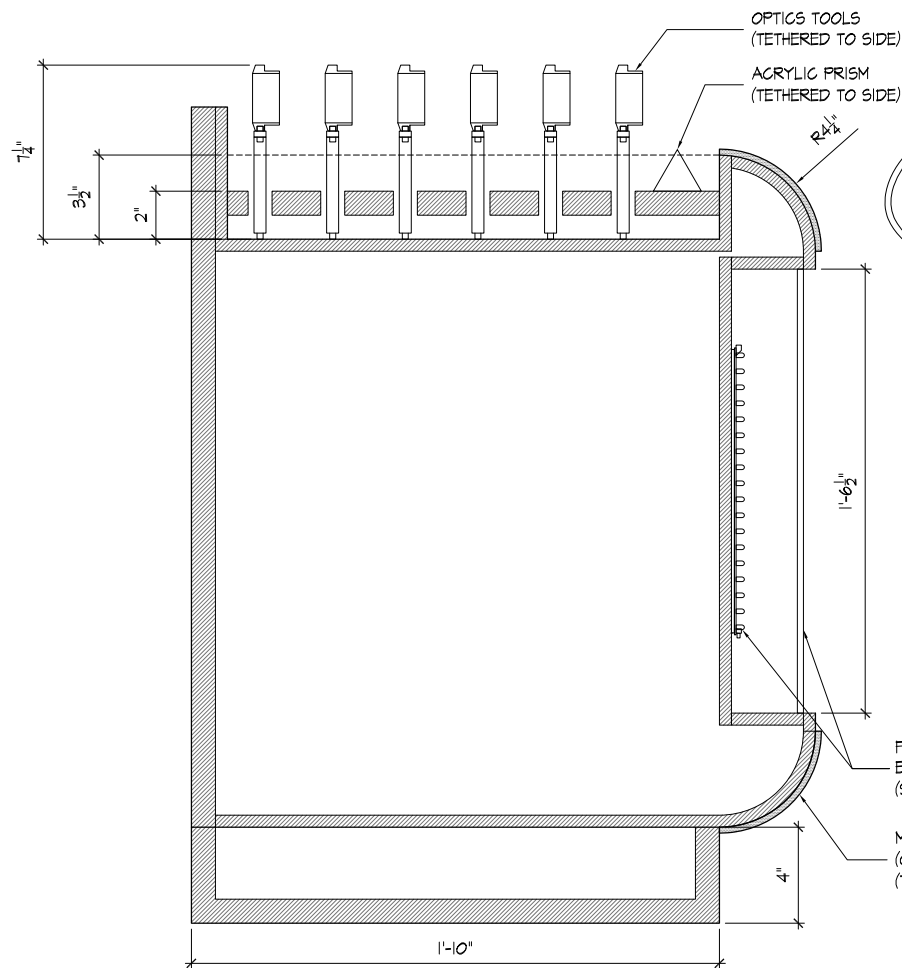
SCALE As Noted JOB # 2285
 DRAWN BY C. BAURLEY DATE 10/15/2008

DRAWING TITLE
 UPPER FLOOR LIGHT WAVES AHEAD COLORS BELOW LIGHT TABLE

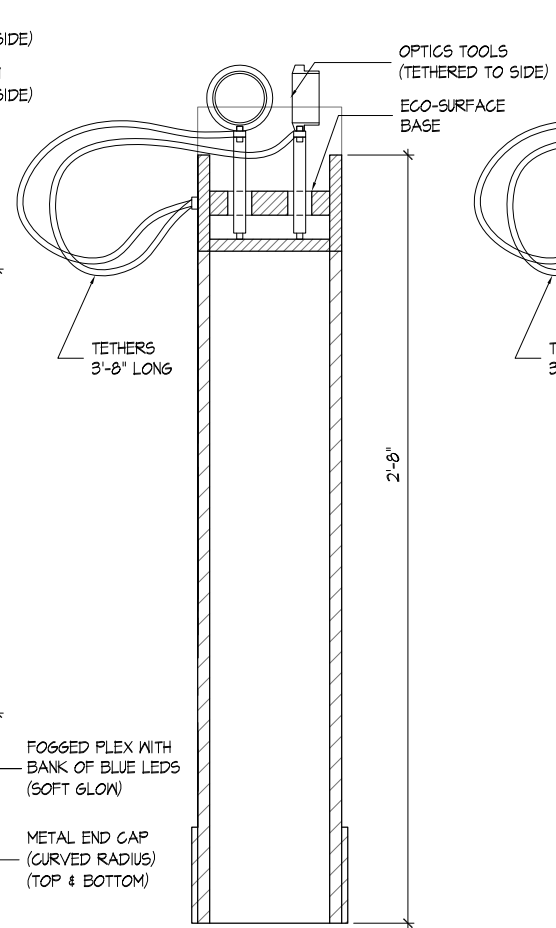
SHEET NO. / FILE NAME
 2285-EX-13.6

WORK IN PROGRESS

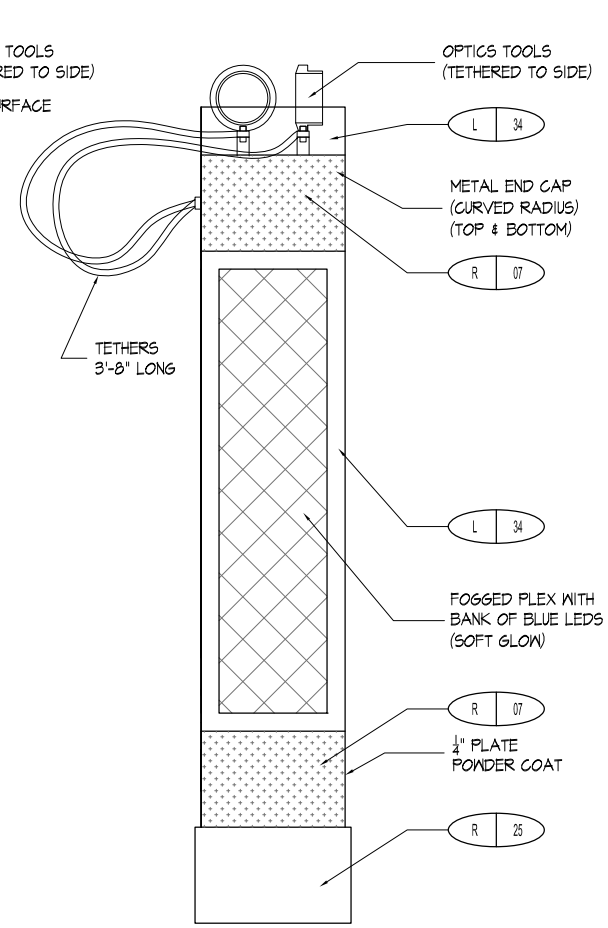
I:\2285 Greenville Children's Museum\Design\2285-EX-13.4.dwg, EX-13.9-3, 12/14/2008 2:04:40 PM, cbaurley, 1:2



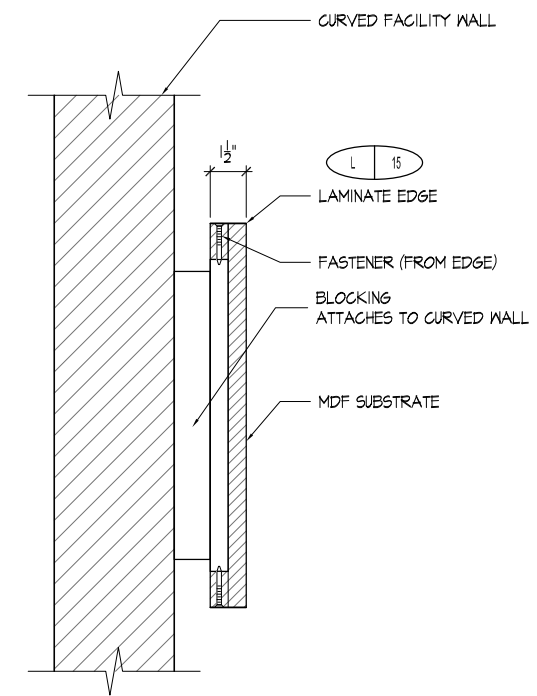
A SECTION
SCALE: 3"=1'-0"



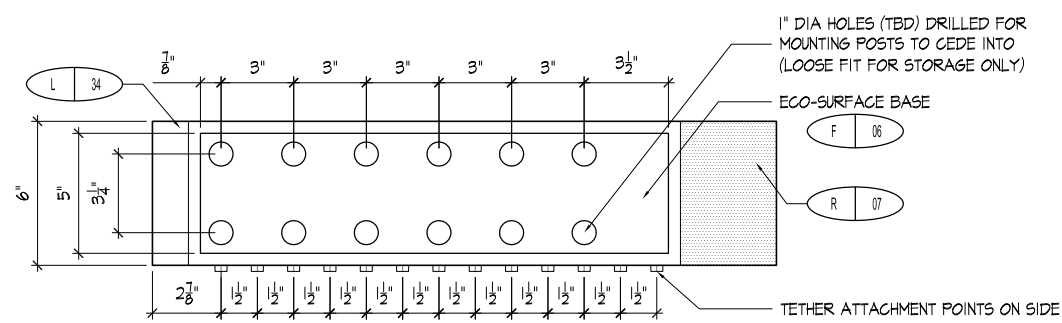
B SECTION
SCALE: 3"=1'-0"



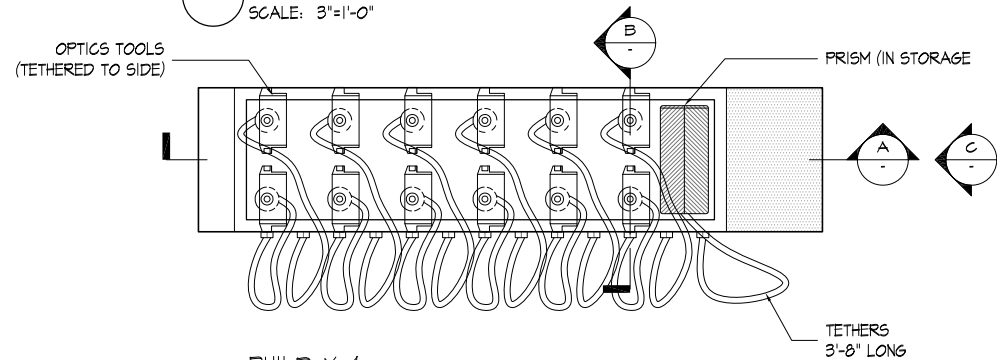
C ELEVATION
SCALE: 3"=1'-0"



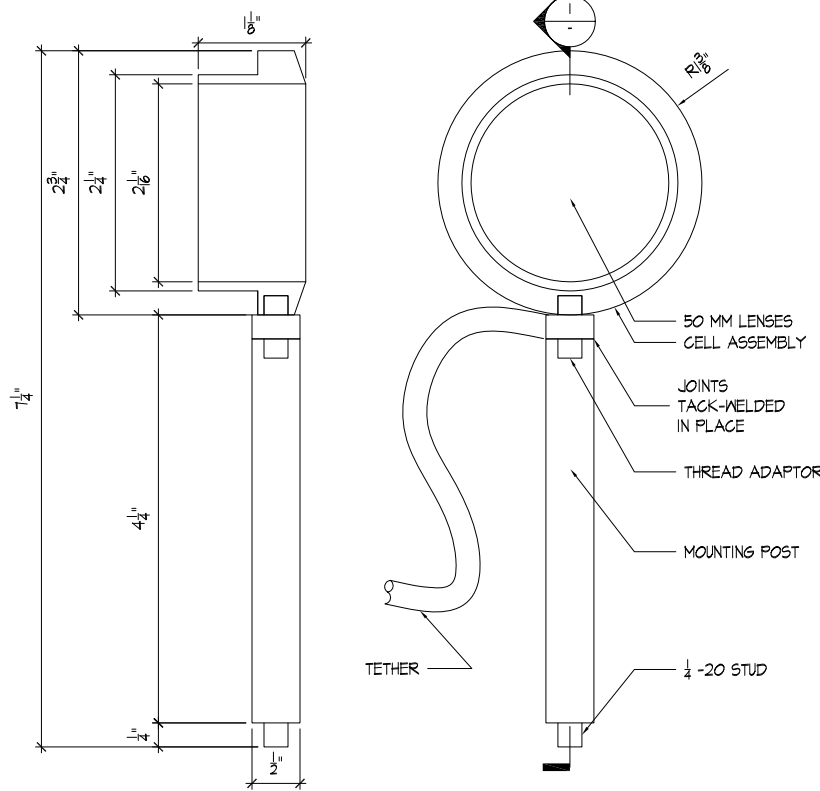
1 BUILD X 6
SIDE DETAIL- LIGHT LAB TARGET
SCALE: 3"=1'-0"



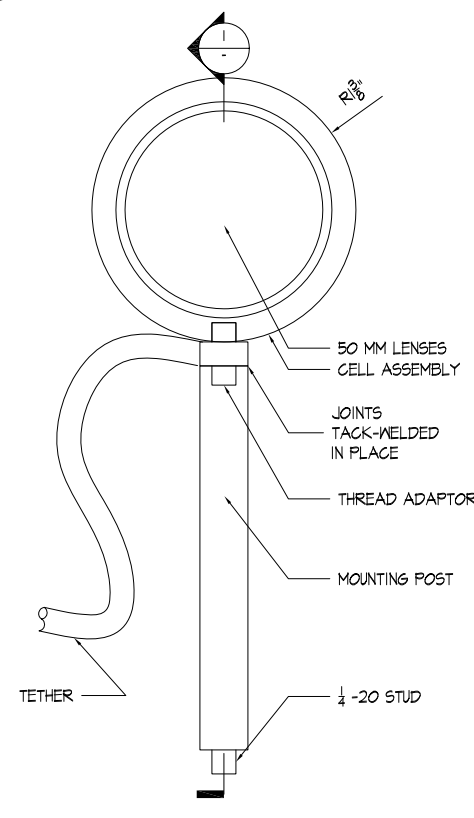
1 PLAN (TOOLS NOT SHOWN FOR CLARITY)
SCALE: 3"=1'-0"



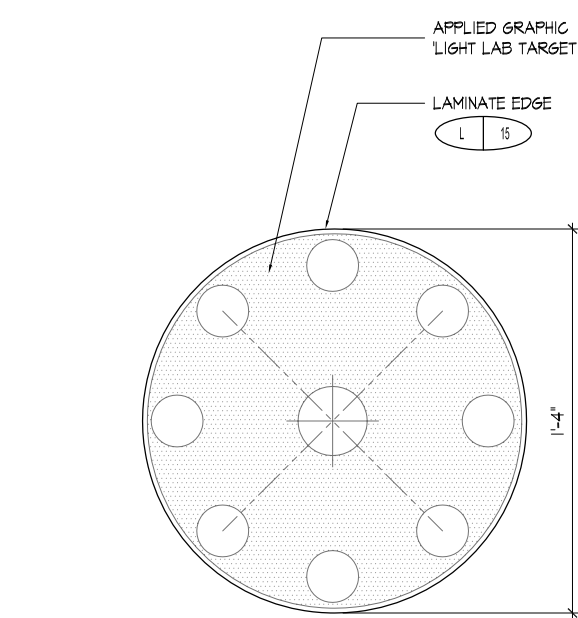
2 BUILD X 4
PLAN (WITH TOOLS IN STORAGE)
SCALE: 3"=1'-0"



1 DETAIL - SECTION
FULL SCALE

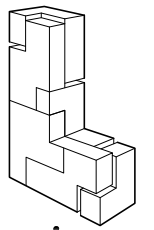


2 DETAIL - FRONT
FULL SCALE



3 BUILD X 6
FRONT DETAIL- LIGHT LAB TARGET
SCALE: 3"=1'-0"

WORK IN PROGRESS



Lexington

12660 Branford Street
Los Angeles • CA 91331
818-768-5768
www.lex-usa.com

The Children's Museum of the Upstate

ORIGINAL

#	DATE	DESCRIPTION OF REVISIONS
1		
2		
3		
4		
5		
6		

APPROVED BY _____ DATE _____

SCALE: As Noted JOB #: 2285

DRAWN BY: C. BAURLEY DATE: 10/16/2008

DRAWING TITLE:
UPPER FLOOR
LIGHT WAVES AHEAD
LIGHT SHOP
TOOL STORAGE
& TARGET GRAPHICS

SHEET NO. / FILE NAME

2285-EX-13.9-3